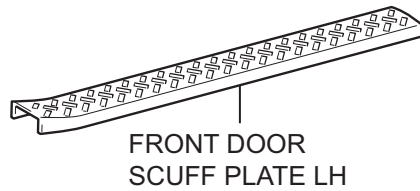
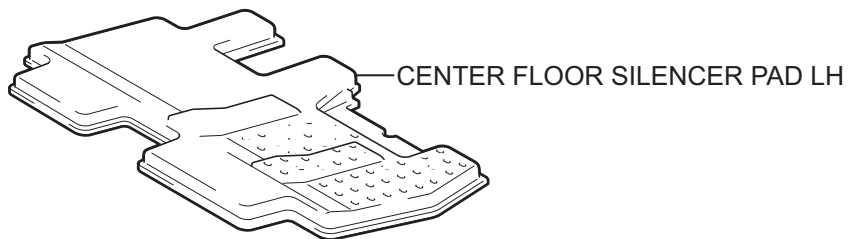
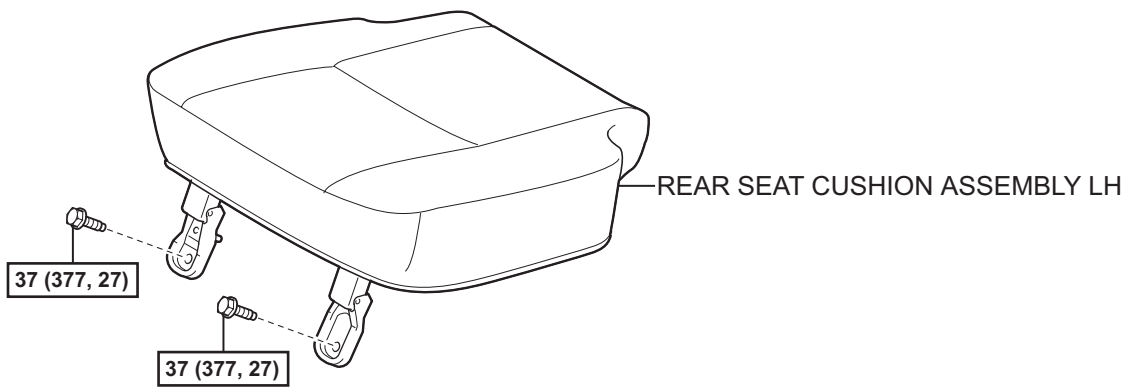


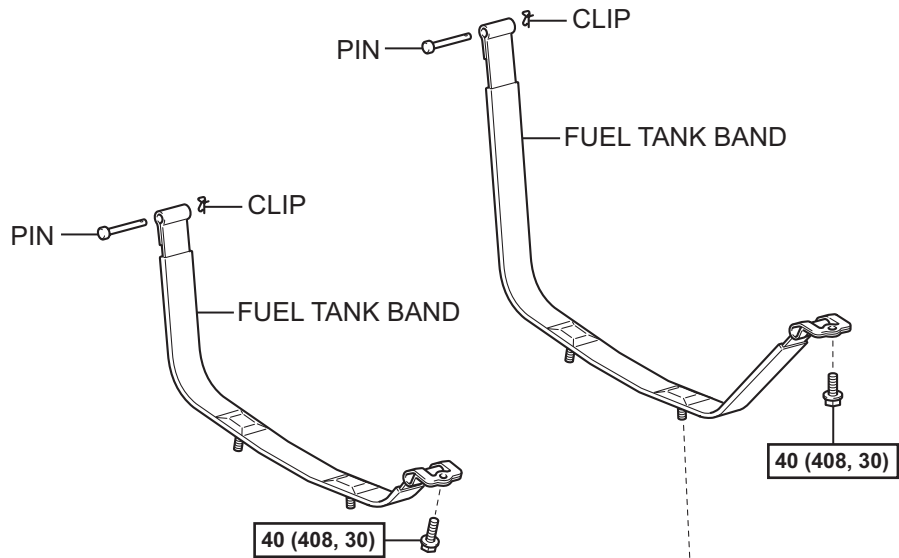
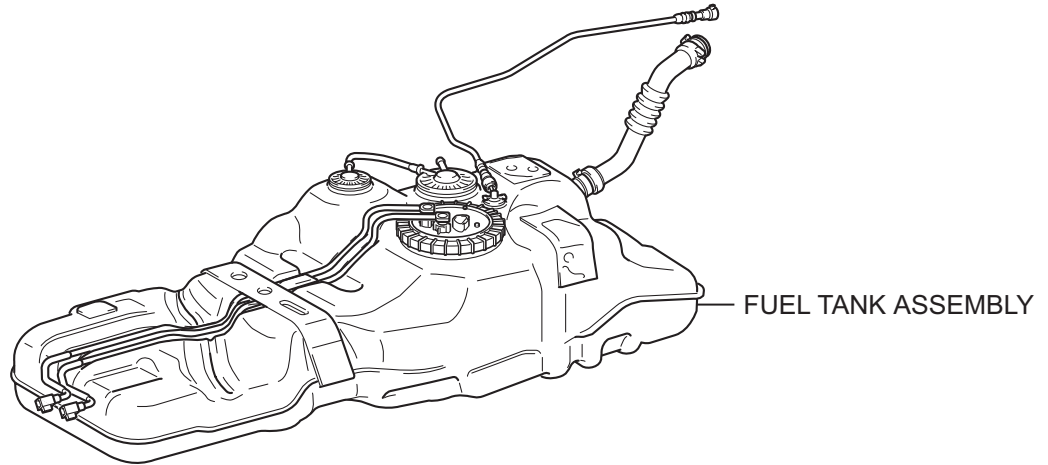
FUEL PUMP COMPONENTS

FU

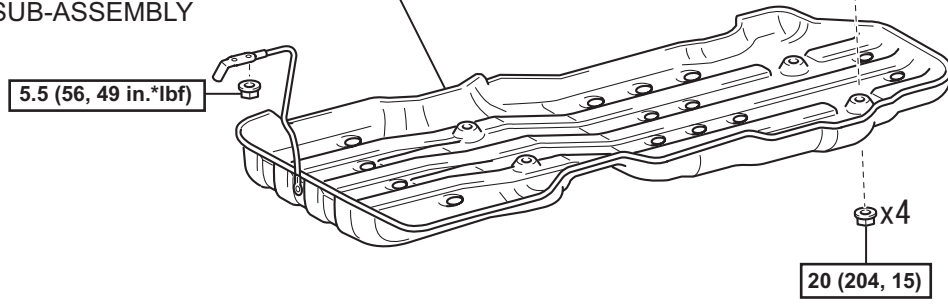


N*m (kgf*cm, ft*lbf) : Specified torque

FU



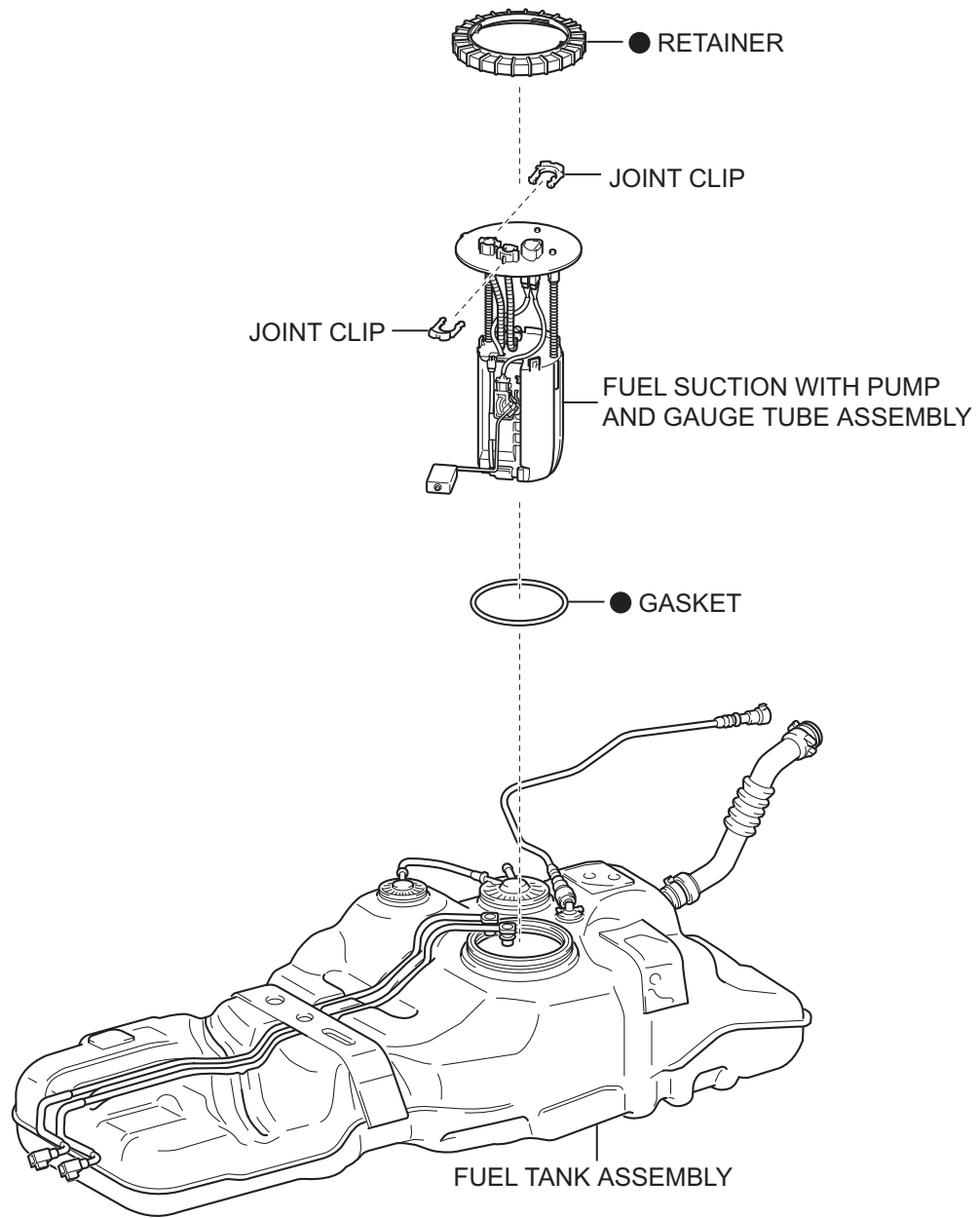
NO.1 FUEL TANK PROTECTOR SUB-ASSEMBLY



N*m (kgf*cm, ft*lbf) : Specified torque

Y

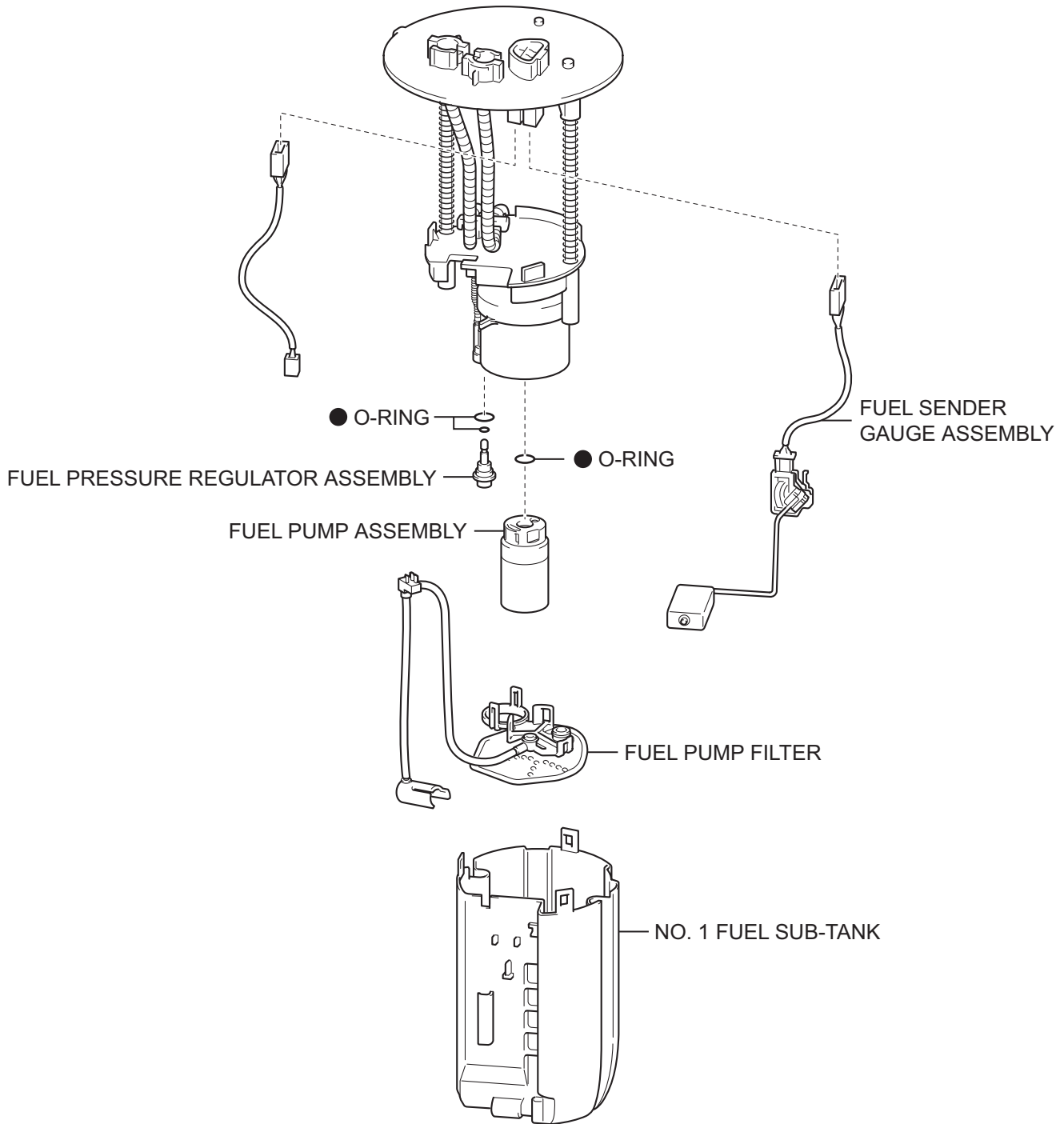
FU



● Non-reusable part

Y

FU



Y